

DESPIECE / EXPLODED VIEW

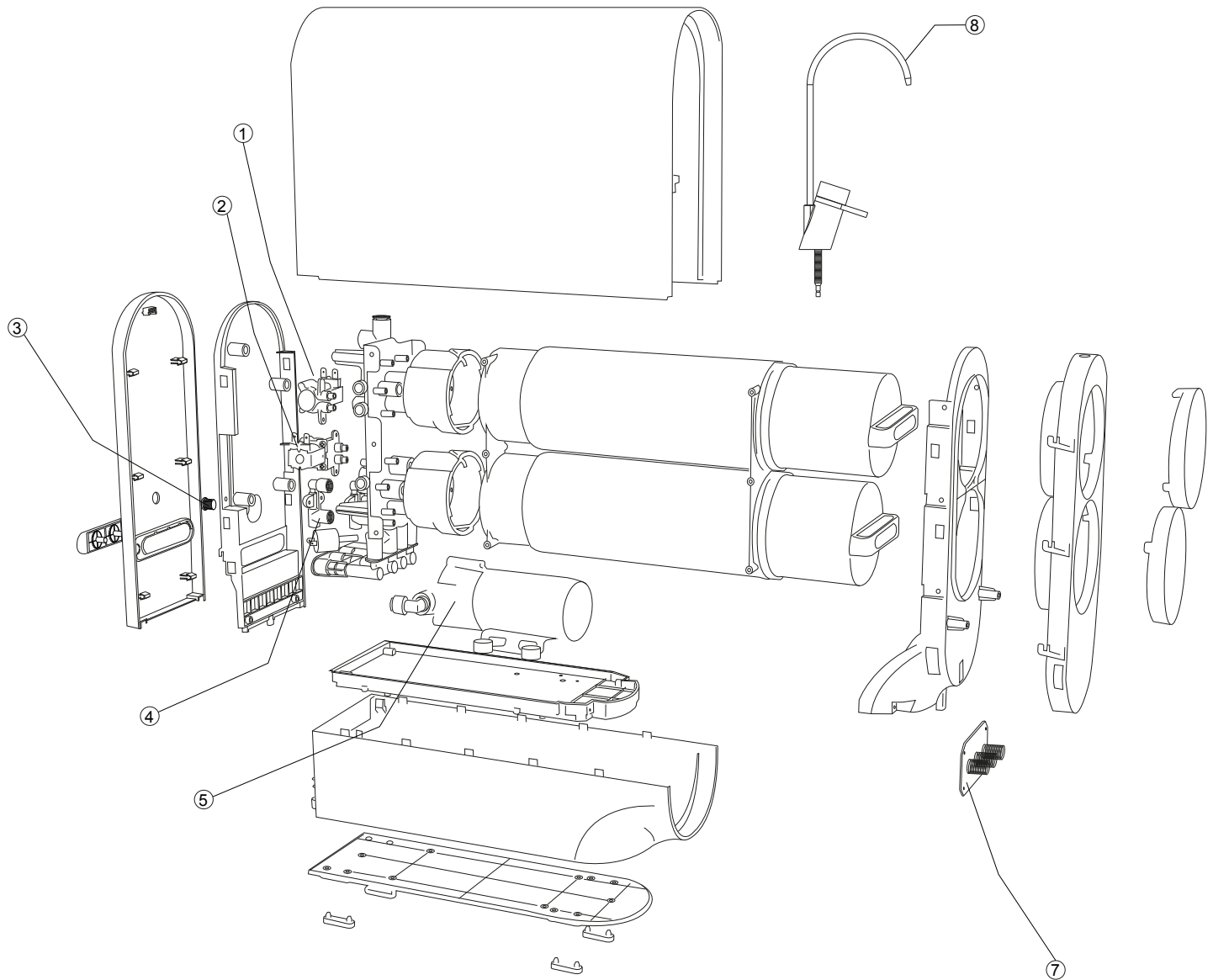


TABLA DE ESPECIFICACIONES / SPARE PARTS TABLE

POS#	REFACCIÓN	PK-EASY-RO400	PK-EASY-RO600	PK-EASY-RO800	CÓDIGO
1	VÁLVULA SOLENOIDE	✓			R-PKEQC-VSOL4
			✓		R-PKEQC-VSOL6
				✓	R-PKEQC-VSOL8
2	VÁLVULA DE DESCARGA	✓			R-PKEQC-VDESC4
			✓		R-PKEQC-VDESC6
				✓	R-PKEQC-VDESC8
3	ADAPTADOR DE CORRIENTE	✓			R-PKEQC-ADPC4
			✓		R-PKEQC-ADPC6
				✓	R-PKEQC-ADPC8
4	VÁLVULA CHECK	✓	✓	✓	R-PKEQC-VCHECK
5	BOMBA BOOSTER	✓			R-PKEQC-BOM4
			✓		R-PKEQC-BOM6
				✓	R-PKEQC-BOM8
7	PANEL DE CONTROL	✓	✓	✓	R-PKEQC-TPAN
8	GRIFO INTELIGENTE	✓	✓	✓	R-PKEQC-GFLED

POS#	SPARE PART	PK-SMART-RO400	PK-SMART-RO600	PK-EASY-RO800	CODE
1	INLET VALVE	✓			R-PKEQC-VSOL4
			✓		R-PKEQC-VSOL6
				✓	R-PKEQC-VSOL8
2	DRAIN VALVE	✓			R-PKEQC-VDESC4
			✓		R-PKEQC-VDESC6
				✓	R-PKEQC-VDESC8
3	DC ADAPTER	✓			R-PKEQC-ADPC4
			✓		R-PKEQC-ADPC6
				✓	R-PKEQC-ADPC8
4	CHECK VALVE	✓	✓	✓	R-PKEQC-VCHECK
5	PUMP	✓			R-PKEQC-BOM4
			✓		R-PKEQC-BOM6
				✓	R-PKEQC-BOM8
7	CONTROL BOARD	✓	✓	✓	R-PKEQC-TPAN
8	GRIFO INTELIGENTE	✓	✓	✓	R-PKEQC-GFLED